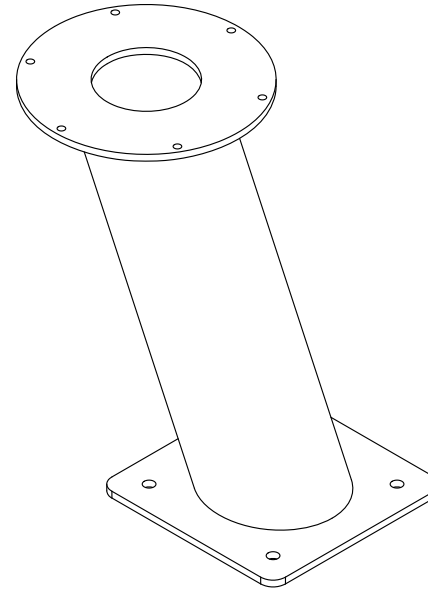
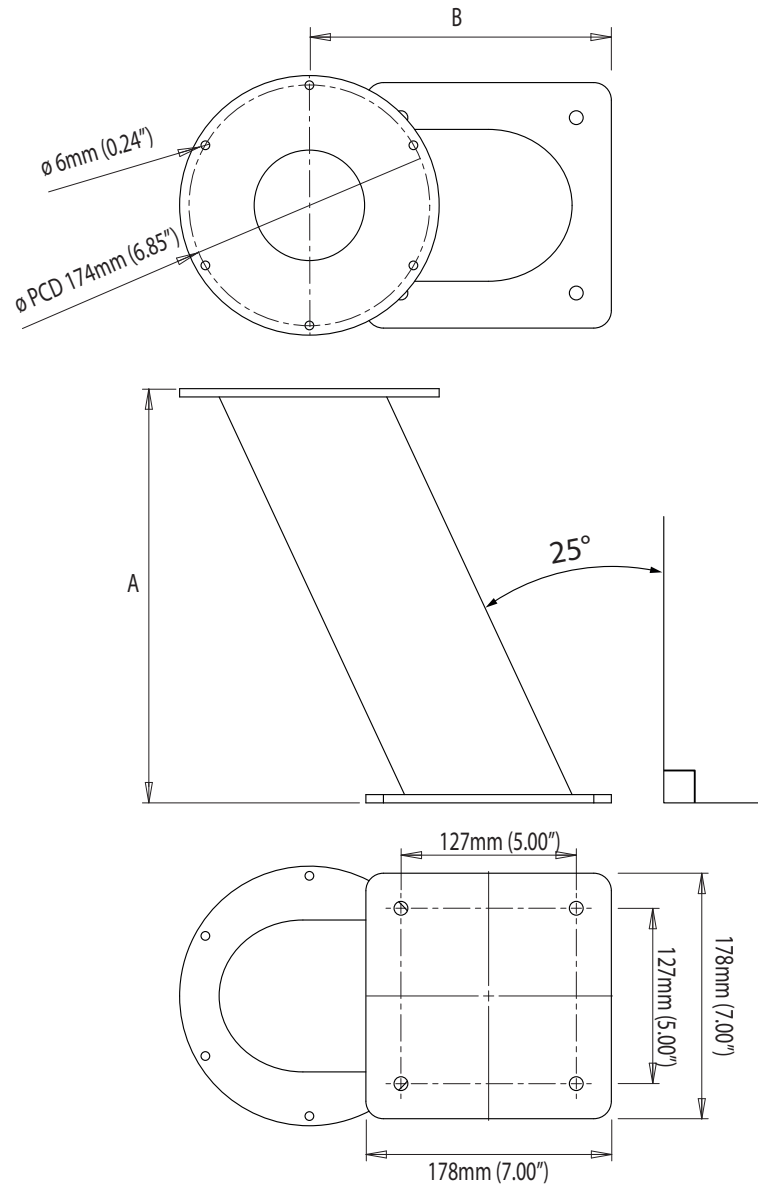


# CAM-PT-150/300-02

Email: [sales@scanstrut.com](mailto:sales@scanstrut.com) Email: [usasales@scanstrut.com](mailto:usasales@scanstrut.com)



	A mm / inches	B mm / inches
CAM-PT-150-02	150/5.91	149/5.87
CAM-PT-300-02	300/11.81	219/8.62

**SCANSTRUT.**